

# EASYRAIL SYSTEM

## PRODUCT TECHNICAL DETAILS:



### Use Classifications:

- Plank Decking (E.g Wood or Composite)
- Irregular Size Pavers (E.g. 8"x48" Plank Pavers)
- Additional Paver Support/Reinforcement
- Pedestal Height Stability

### SKU: ARJ60 - EasyRail System

Raw Material - Aluminum

Weight - ~3.5lbs / EasyRail Joist

Dimensions - 6' Lengths

Thickness - 0.787"

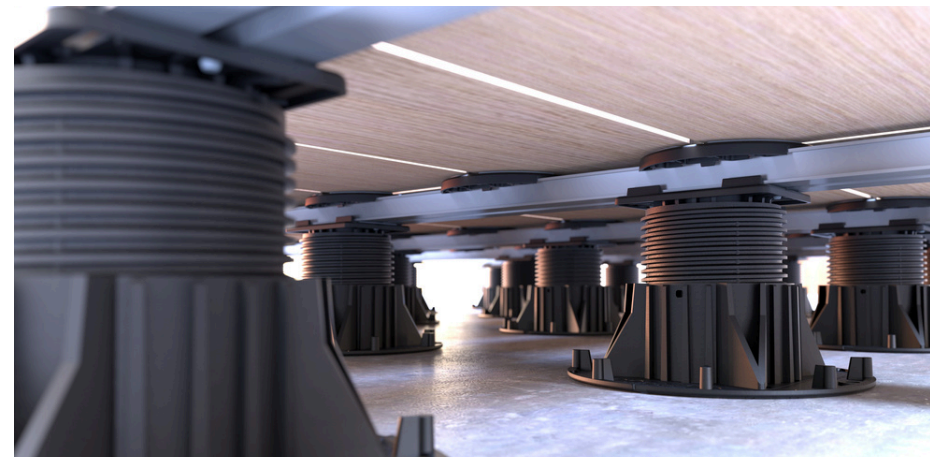
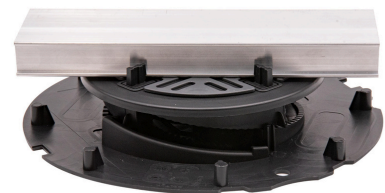
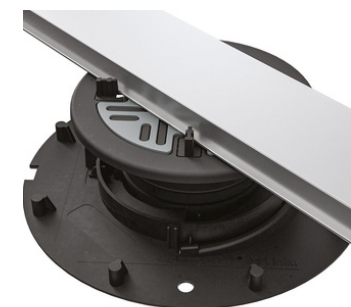
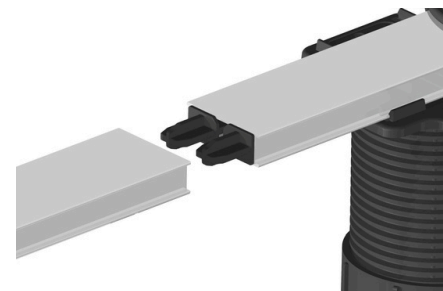
Tensile Strength (Rm Mpa) - Min 190

Yielding Load (Rp0.2 Mpa) - Min 150

Elongation (A 50% mm) - Min 6

Typical Hardness (HBW) - 70

Recyclable - Yes



## INSTALLATION PROFILE

1. EasyRail Aluminum Rail Joist (ARJ60)
2. Standard Top Rail Headpiece (ARH4)
3. LevelPro Pedestal Support

