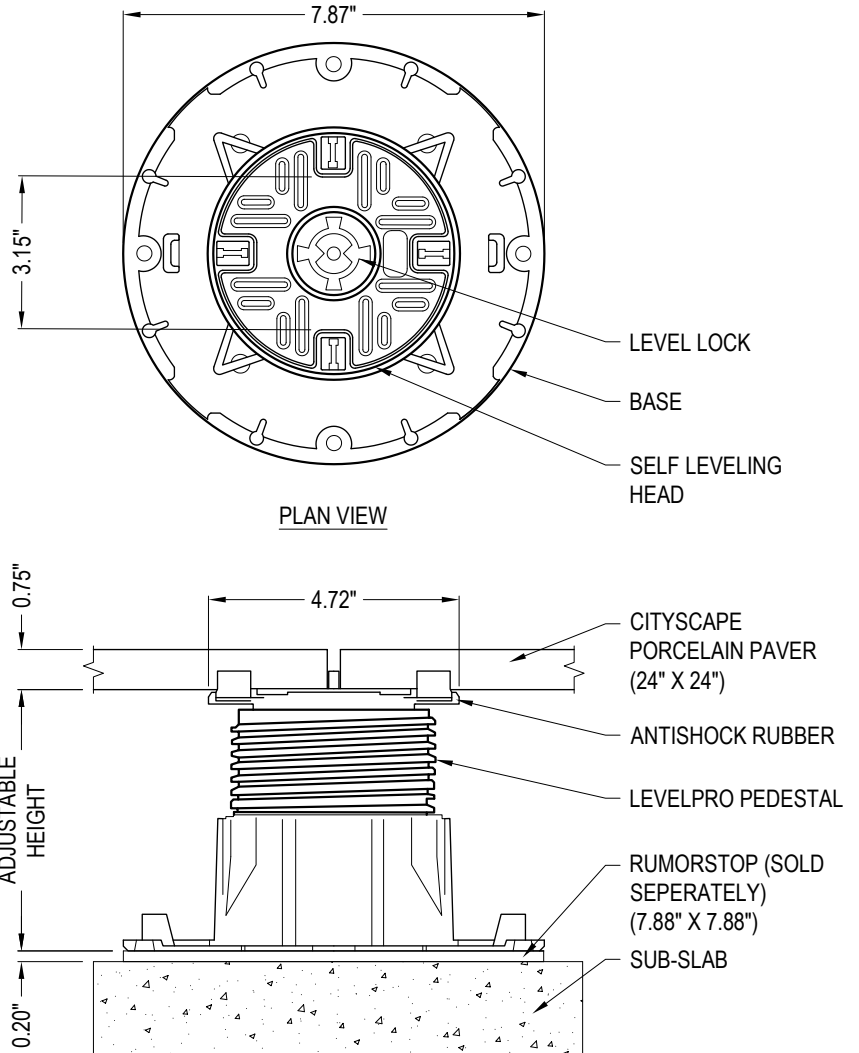


SELECT DESIRED MODEL (ADJUSTABLE HEIGHT)

- LP401 (1" - 1.125")
- LP402 (1.125" - 1.5")
- LP403 (1.5" - 2")
- LP404 (2" - 3")
- LP405 (3" - 5")



SECTION VIEW
LEVELPRO PEDESTAL WITH
RUMOR STOP INSTALLATION

SPECIFICATIONS

MATERIAL: 80% POLYPROPYLENE AND 20% TALC

WEIGHT CAPACITY: 2,204 LBS / PEDESTAL

NOTES:

1. INSTALLATION TO BE COMPLETED IN ACCORDANCE WITH MANUFACTURER'S SPECIFICATIONS.
2. DO NOT SCALE DRAWING.
3. THIS DRAWING IS INTENDED FOR USE BY ARCHITECTS, ENGINEERS, CONTRACTORS, CONSULTANTS AND DESIGN PROFESSIONALS FOR PLANNING PURPOSES ONLY. THIS DRAWING MAY NOT BE USED FOR CONSTRUCTION.
4. ALL INFORMATION CONTAINED HEREIN WAS CURRENT AT THE TIME OF DEVELOPMENT BUT MUST BE REVIEWED AND APPROVED BY THE PRODUCT MANUFACTURER TO BE CONSIDERED ACCURATE.
5. CONTRACTOR'S NOTE: FOR PRODUCT AND COMPANY INFORMATION VISIT www.CADdetails.com/info AND ENTER REFERENCE NUMBER 5530-001.

